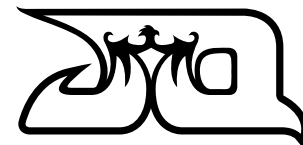


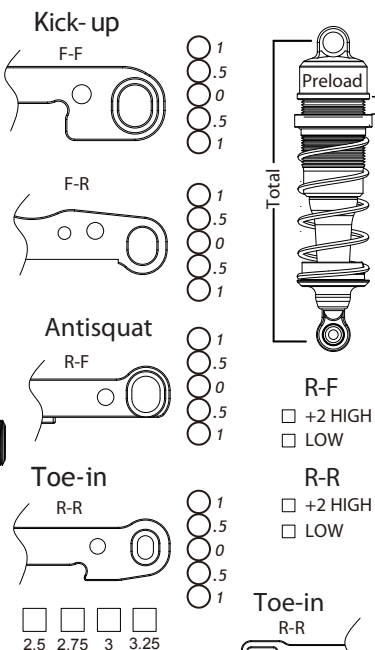
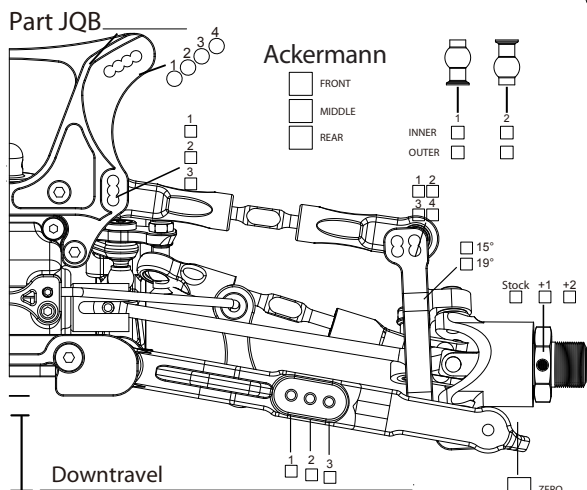


Name _____
 Date _____
 Track _____
 Weather & Temp _____
 Driver Mood _____

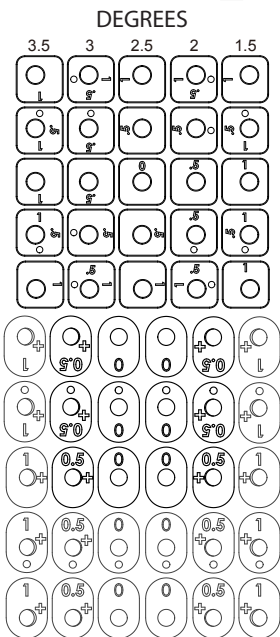
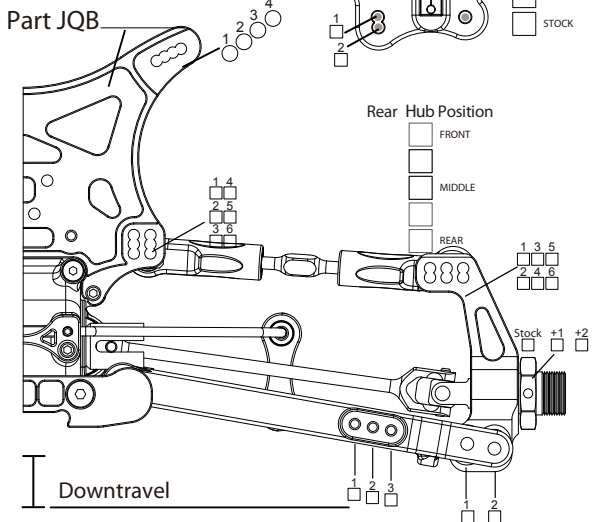
- Tight** **Low Grip**
- Medium** **Medium Grip**
- Open** **High Grip**
- Smooth** **Dusty**
- Rough** **BlueGroove**



FRONT



REAR



	FRONT	REAR
*		
Ride Height		
Downtravel With Tyres		
Swaybar		
Brake Balance	%	%
Camber	Length: mm	Length: mm
	Degree:	Degree:
Steering Link / Front Toe	Length: mm	
	Degree:	

SHOCKS		
Oil wt / Brand		
Piston		
Spring	Preload: mm	Preload: mm
	Total: mm	Total: mm
Rebound		

TYRES		
Tread / Brand		
Compound		
Insert		
Wheel		
Tyre Set Weight		g

DIFFS			
	FRONT	CENTER	REAR
Oil wt / Brand			
Gear ratio (main/pinion)			

Car Weight **g**

Motor: _____
 ESC: _____
 Battery: _____

Best Lapt ime _____
 Runtime _____
 Best result _____
 Qualifying Position _____
 Final Position _____

NOTES