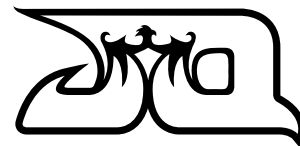




Name _____
 Date _____
 Track _____
 Weather & Temp _____
 Driver Mood _____

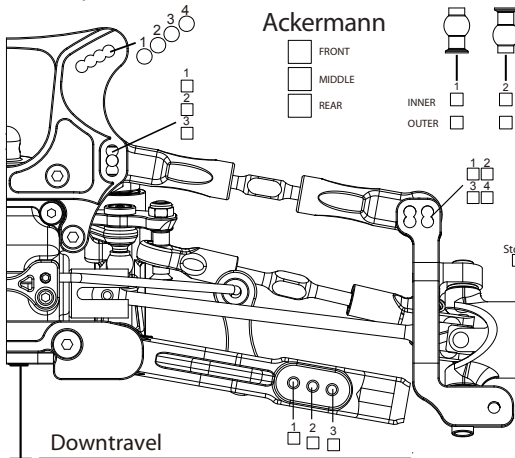
Tight
Medium
Open
Smooth
Rough

Low Grip
Medium Grip
High Grip
Dusty
BlueGroove

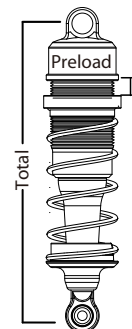
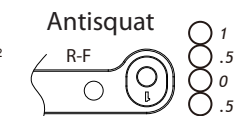
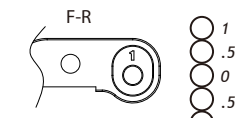
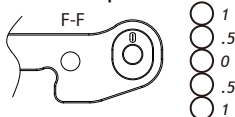


FRONT

Part JQB _____



Kick-up

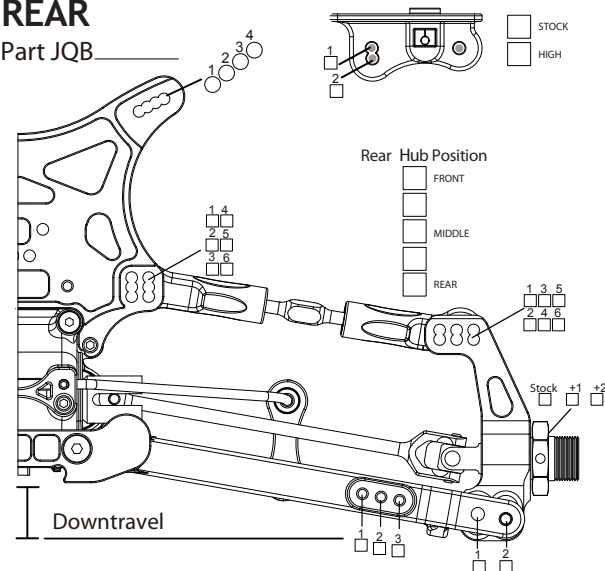


R-F
 LOW
 +2 HIGH

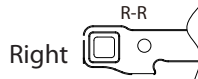
R-R
 LOW
 +2 HIGH

REAR

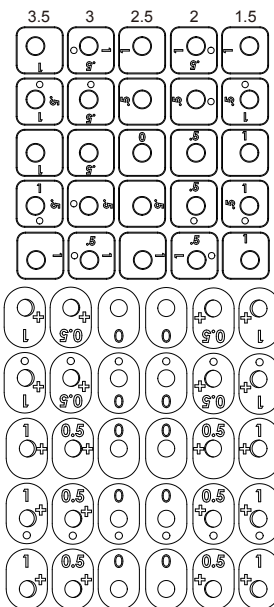
Part JQB _____



Toe-in



DEGREES



Chassis 3mm
 4mm

Part JQB _____

Car Weight _____ **g**

Engine	Plug	Fuel
Pipe	Clutch	Clutch Spring

NOTES

Best Lap time
Runtime
Best result
Qualifying Position
Final Position

	FRONT	REAR
* Ride Height		
Downtravel		
Swaybar		
Brake Balance	%	%
Camber	Length: _____ mm Degree: _____	Length: _____ mm Degree: _____
Steering Link / Front Toe	Length: _____ mm Degree: _____	

SHOCKS		
Oil wt / Brand		
Piston		
Spring		
Length	Preload: _____ mm Total: _____ mm	Preload: _____ mm Total: _____ mm
Rebound		

TYRES		
Tread / Brand		
Compound		
Insert		
Wheel		
Tyre Set Weight		g

DIFFS			
	FRONT	CENTER	REAR
Oil wt / Brand			
Gear ratio (main/pinion)			